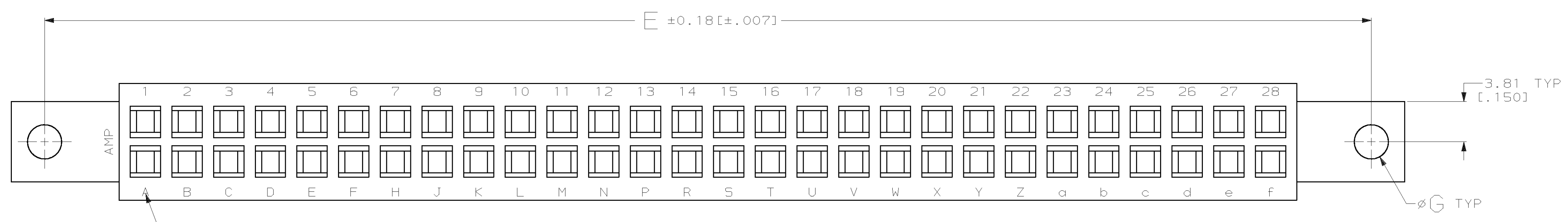
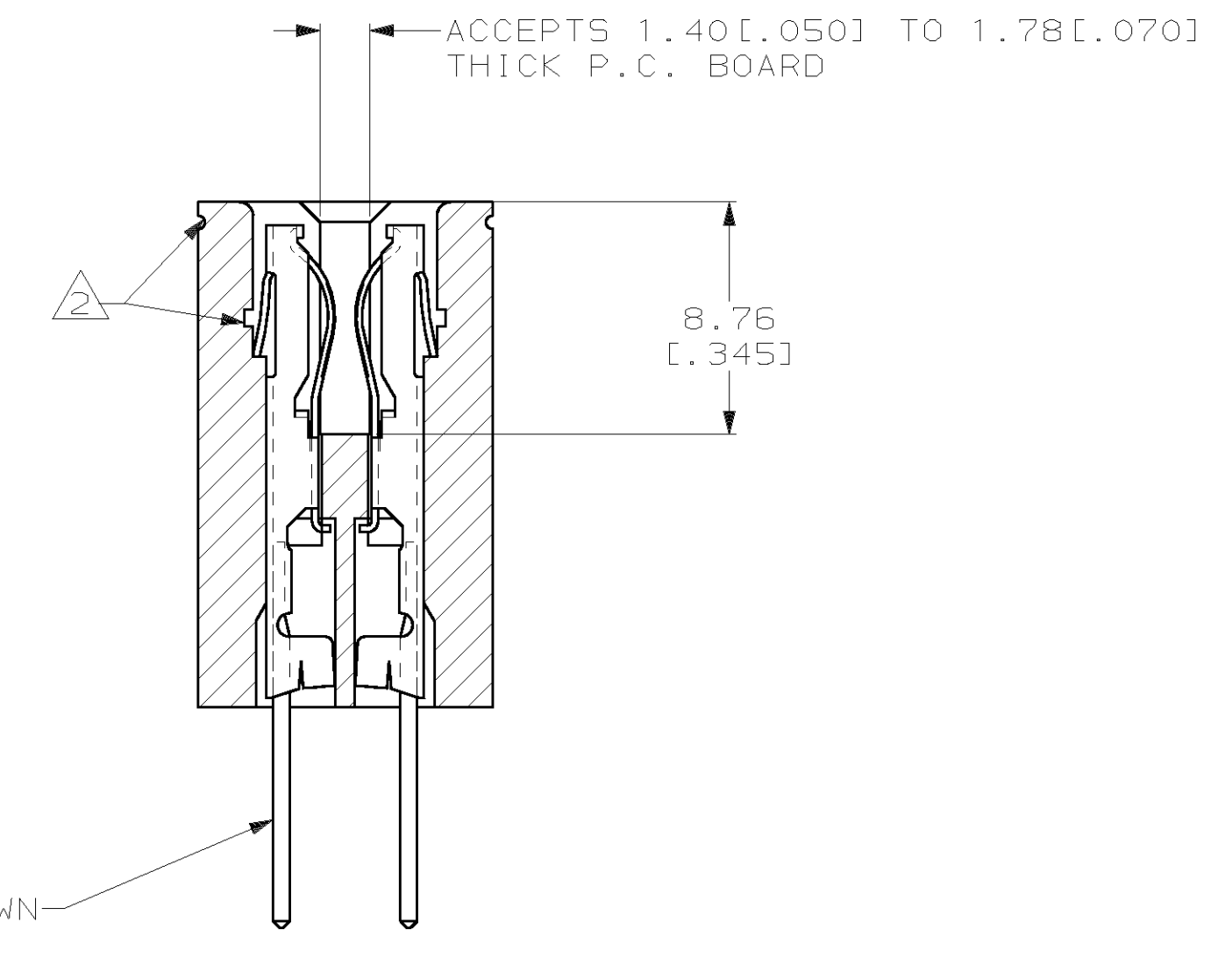
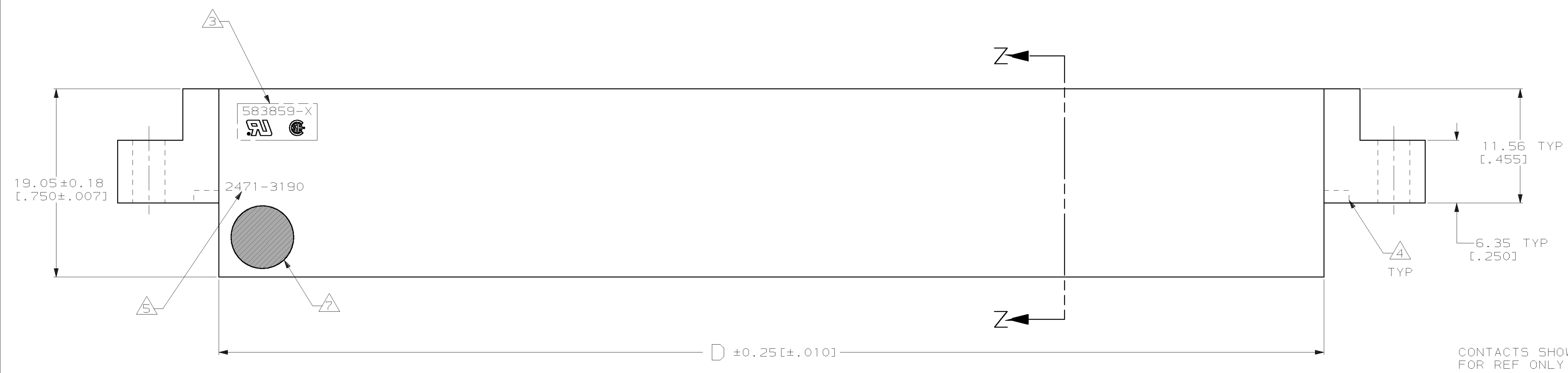
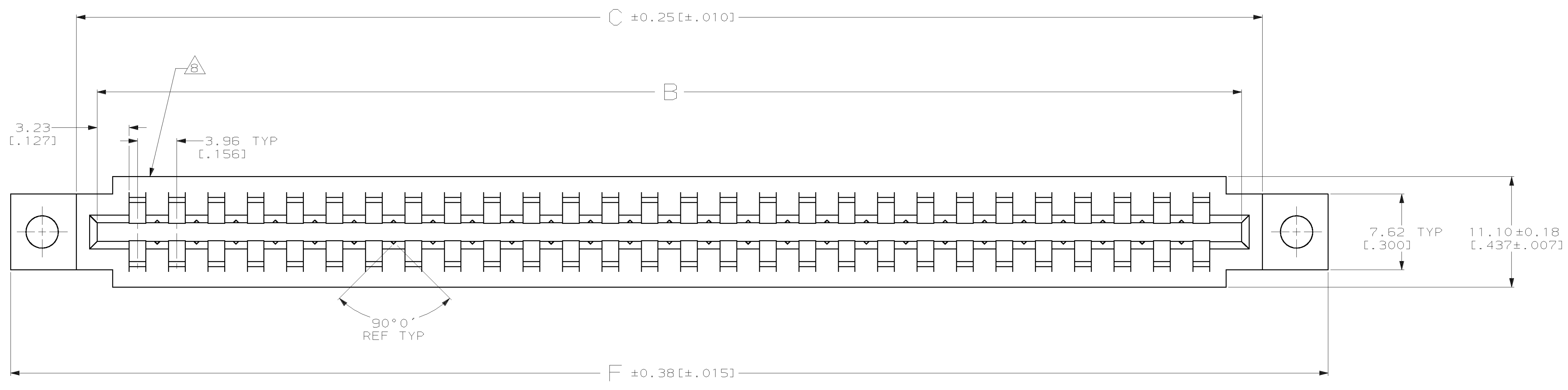


LOC	DIST	P	F	ZONE	LTR	DESCRIPTION	DATE	APPD
AD	00					S REDRAWN PER 0010-0052-94	3/2/94	HR
						T REVISED PER 0010-0683-94	9/20/94	HR
						U REVISED PER 0010-0812-95	9-22-95	PEB
						V REVISED PER 0010-0862-95	9/27/95	RB HR
						W REVISED PER 0010-0818-95	1-4-95	PB HR
						Y REV PER EC 0320-349-97	30 OCT 97	NS
						Z REV PER EC 0652-84-98	09 SEP 98	HR
						AA REV PER EC 0652-0008-99	03/01/99	CB



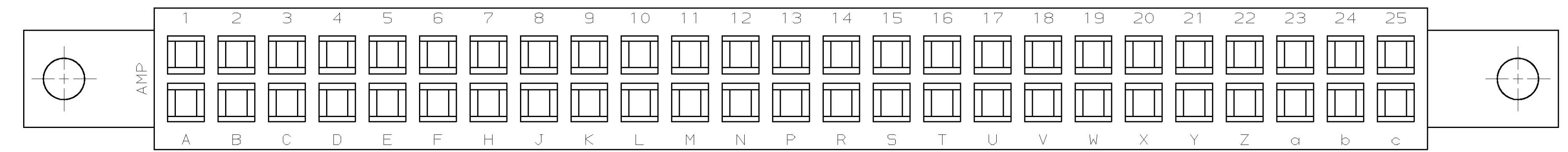
DO NOT SCALE PRINT. UNLESS SPECIFIED DIMENSIONS IN mm [INCHES] TOLERANCES - ON : 2 PLC DEC ± - 3 PLC DEC ± 0.13 [.005] ANGLES ± -		DR 12-10-92 J GALLUCCI B6 CHK 3/2/94 H ROSE APPD 3/2/94 H ROSE APPD 3/2/94 M THUMMA PRODUCT SPEC -		PART NO	
MATERIAL GLASS FILLED POLYESTER COLOR: BLACK		FINISH -		AMP AMP Incorporated Harrisburg, PA 17105-3508	
APPLICATION SPEC -		WEIGHT -		NAME HOUSING, CRIMP SNAP TWIN LEAF, .156¢ WITH MOUNTING EARS	
SIZE D		CAGE CODE 00779		DRAWING NO C-583859	
SCALE 4:1		SHEET 1 OF 2		CUSTOMER DRAWING	

THIS DRAWING IS A CONTROLLED DOCUMENT FOR AMP INCORPORATED. IT IS SUBJECT TO CHANGE AND THE CONTROLLING ENGINEERING ORGANIZATION SHOULD BE CONTACTED FOR THE LATEST REVISION.

LOC	DIST	P	ZONE	LTR	DESCRIPTION	DATE	APPD
AD	00				AA SEE SHEET 1	-	-



- 1 FIRST 22 POSITIONS MARKED WITH UPPER CASE LETTERS, FOLLOWED BY LOWER CASE LETTERS, FOLLOWED BY UPPERCASE AA, AB, AC ETC. CHARACTERS G, I, O AND Q ARE OMITTED. SEE TABLE FOR END CAVITY IDENTIFICATION.
- 2 PULL GROOVES OPTIONAL THESE LOCATIONS REF ONLY.
- 3 HOUSING PART NUMBER, UL & CSA LOGO'S TO BE MOLDED IN THIS AREA. UL LOGO PER 1-18838-3, CSA LOGO PER 1-18839-3.
- 4 CORING AT AMP'S OPTION REF ONLY.
- 5 HOT STAMP CUSTOMER PART NUMBER 2471-3190 IN THIS AREA FOR 1-583859-7 ONLY.
- 6 STAMPED WITH SPECIAL CAVITY IDENTIFICATION ON SIDES OF HOUSING.
- 7  $\phi 6.35 \pm 0.38 [ .250 \pm .015 ]$  WHITE DOT IN LOWER LEFT HAND CORNER.
- 8 DATE CODE TO BE MOLDED IN THIS AREA



OBSOLETE	10 & L	.128	2.409	2.159	1.600	1.888	1.724	10	2-583859-8	
OBSOLETE	14 & R	.128	3.033	2.783	2.224	2.512	2.348	14	2-583859-7	
OBSOLETE	25 & c	.128	4.740	4.500	3.940	4.228	4.064	25	2-583859-5	
	36 & r	.128	6.465	6.215	5.656	5.944	5.780	36	2-583859-3	
	8 & J	.128	2.097	1.847	1.288	1.576	1.412	8	2-583859-1	
OBSOLETE	24 & b	.128	4.593	4.343	3.784	4.072	3.908	24	1-583859-9	
OBSOLETE	28 & f	.128	5.217	4.967	4.408	4.696	4.532	28	1-583859-7	
	12 & N	.128	2.721	2.471	1.912	2.200	2.036	12	1-583859-5	
	6 & F	.128	1.785	1.535	.976	1.264	1.100	6	1-583859-3	
OBSOLETE	18 & v	.156	3.657	3.407	2.848	3.136	2.972	18	1-583859-1	
	10 & L	.128	2.409	2.159	1.600	1.888	1.724	10	583859-9	
	15 & S	.128	3.189	2.939	2.380	2.668	2.504	15	583859-7	
	18 & v	.128	3.657	3.407	2.848	3.136	2.972	18	583859-5	
	22 & Z	.128	4.281	4.031	3.472	3.760	3.596	22	583859-3	
	28 & f	.128	5.217	4.967	4.408	4.696	4.532	28	583859-1	
	END CAVITY IDENT		G	F	E	D	C	B	POSN	PART NUMBER



2-583859-5

DO NOT SCALE PRINT. UNLESS SPECIFIED DIMENSIONS IN mm [INCHES] TOLERANCES ON:		DR 12-10-92 J GALLUCCI B6		AMP AMP Incorporated Harrisburg, PA 17105-3508	
2 PLC DEC ±	-	CHK 3/2/94	H ROSE	NAME	
3 PLC DEC ±	-	APPD 3/2/94	H ROSE	HOUSING, CRIMP SNAP	
ANGLES ±	-	APPD 3/2/94	M THUMMA	TWIN LEAF, .156¢	
MATERIAL	-	PRODUCT SPEC	-	WITH MOUNTING EARS	
FINISH	-	APPLICATION SPEC	-	SIZE	CAGE CODE
				D	00779
		WEIGHT	-	DRAWING NO	C=583859
				SCALE	4:1
				SHEET	2 OF 2

THIS DRAWING IS A CONTROLLED DOCUMENT FOR AMP INCORPORATED. IT IS SUBJECT TO CHANGE AND THE CONTROLLING ENGINEERING ORGANIZATION SHOULD BE CONTACTED FOR THE LATEST REVISION.